

# AP-334.AP-305 Aluminum Base



## Polished

- \* AP-334FC
- \* AP-305FC



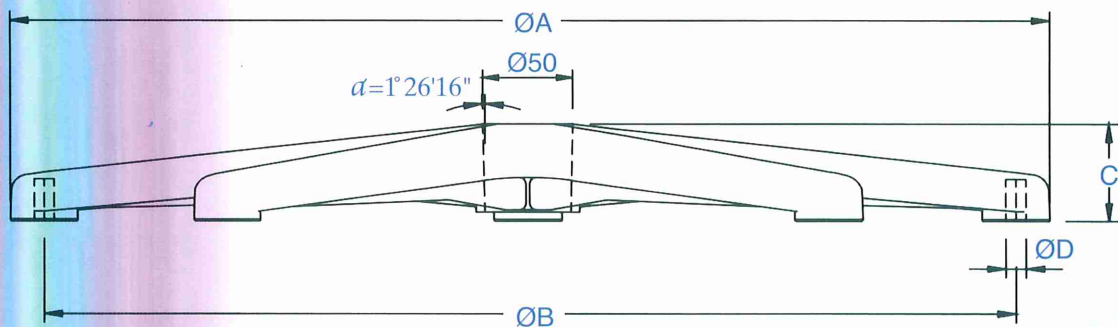
## Sand Blasted

- \* AP-334SB
- \* AP-305SB



## Black Painted

- \* AP-334BK
- \* AP-305BK



Description	$\varnothing A$ (mm)	$\varnothing B$ (mm)	C (mm)	$\varnothing D$ (mm)	N.W.
AP-334	$\varnothing 668$	$\varnothing 630$	56	$\varnothing 11.2$	
AP-305	$\varnothing 610$	$\varnothing 572$	55.5	$\varnothing 11.2$	



## Carpin Manufacturing, Inc.

411 AUSTIN ROAD BOX 471 WATERBURY, CONNECTICUT 06720  
 TEL (203) 574-2556 FAX (203) 753-8771  
<http://www.carpin.com/bases> E-mail: info@carpin.com